

Product Datasheet



Products Family : Bulbs & Tubes
Products Name : LED Bulbs

Datasheet is valid for following Model numbers

Product Code	CCT	Socket
BB46-60620	2200K	E27
BB47-60620	2200K	E27

Manufacturer:
Demgrup international lighting limited
unit d 16/f,one capital place,18 luard road
wan chai, Hong Kong
www.demgrup.com.tr

Importer / Company:
Braytron S.R.L
Bulevardul iuliu maniu,nr.616, corp B
etaj 1 sector 6,061129 bucuresti, Romania
info@braytron.com www.braytron.com

Test condition: light for 30 mins under nominal voltage input and 25°C±1° working environment

General Characteristics

- Family : Bulbs & Tubes
- Sub Family : LED Bulbs
- Mounting Type : Socket
- Lamp Shape : Non-Directional
- Dimmable : Dimmable
- Light Source : LED
- Warranty : 2 years
- Class : Class II
- IP : IP20

Lamp Characteristics

- Wattage : 6 w
- Color Temperature : 2200K
- Luminous Flux(whole Product) : 540 lm
- Luminous Flux(LED System) : 540 lm
- Color Rendering Index(CRI) : > 80
- Energy Efficiency Level : F
- Equivalent : 45 w
- Beam Angle : 360 Degree(s)
- Chromaticity(SDCM) : < 6

Electrical Characteristics

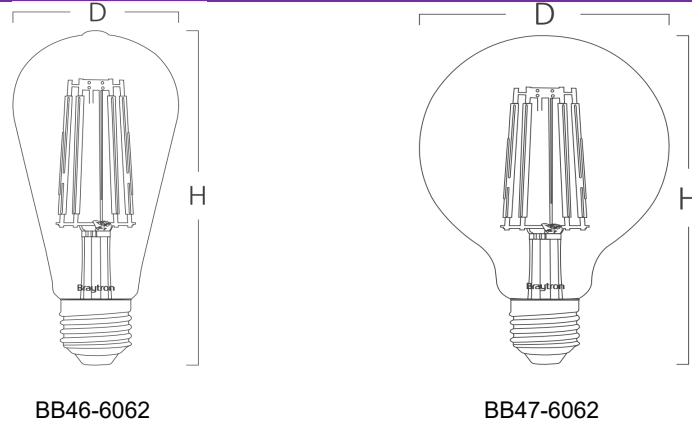
- Lifetime (L70B50) : 15000 h
- Input Voltage : 220-240V
- Frequency : 50-60 Hz
- Power Factor : > 0.7
- Starting Time : < 0.5 s
- Lumen Maintenance Factor : > 0.899
- Number of Switch Cycles : > 12500
- Material : Glass
- Working Temperature : -20°C~+45°C
- Storage Temperature : -20°C~+60°C
- Environment humidity(working) : 10%~65%

Test condition:light for 30 mins under nominal voltage input and 25°C±1°working environment

Lamp Dimensions & Weight

Product Code	Socket	Diameter(mm)	Height(mm)	Weight(gr)
BB46-6062	E27	64	143	46
BB47-6062	E27	95	135	58

Technical Drawing(s)



Reliability requirements and Test Conditions

- Lumen maintenance**

Lumen maintenance is not lower than 89.9% after lighting for 2.5h on and 0.5h off for one cycle.
Total 1200 cycle and 3600h including 3000h on and 600h off.

- Working life (L70B50)**

Under nominal voltage input, working life is forced not lower than 15000 h at 25°C±1°C

- Remarks:**

Declared values above may vary ±5



Test condition:light for 30 mins under nominal voltage input and 25°C±1°working environment

Optical and electrical test parameter:

Color Parameter

Chroma Coordinate:x=0.5005 y=0.4156 u=0.2866 v=0.3569

Chroma Coordinate:u'=0.2866 v'=0.5354

CCT.:CCT=2253K Dominant: d=587.1nm Barycenter: b=609nm Peak Wavelength: p=613.2nm

FWHM: 107.2nm Purity:Pe=74.86% Red Ratio:R=0.297 Green Ratio:G=0.686 Blue Ratio:B=0.016

Color CRI.:Ra=82.38

R 1=81

R 2=93

R 3=94

R 4=79

R 5=82

R 6=94

R 7=79

R 8=56

R 9=11

R10=85

R11=80

R12=83

R13=84

R14=98

R15=73

Luminosity Parameter

Luminous Flux(380-780nm):523.468lm Optical Power(380-780nm):1.74W Efficient(380-780nm):88.72lm/W

Electric Parameter

Voltage: U=230V Current: I=29mA Power: P=5.9W PF: PF=0.881

Device State

Wavelength Range: 380nm-780nm Wavelength Interval: 1nm

SDCM : 26.2 SDCM

