

Product Datasheet



Products Family : Bulbs & Tubes
Products Name : LED Bulbs

Datasheet is valid for following Model numbers

| Product Code | CCT | Socket |
|--------------|-------|--------|
| BA07-00510 | 3000K | E14 |
| BA07-00513 | 6500K | E14 |
| BA09-00510 | 3000K | E14 |
| BA09-00511 | 4000K | E14 |
| BA09-00513 | 6500K | E14 |
| BA09-00520 | 3000K | E27 |
| BA09-00523 | 6500K | E27 |
| BA11-00510 | 3000K | E14 |
| BA11-00511 | 4000K | E14 |
| BA11-00513 | 6500K | E14 |
| BA11-00520 | 3000K | E27 |
| BA11-00521 | 4000K | E27 |
| BA11-00523 | 6500K | E27 |

Manufacturer:
Demgrup international lighting limited
unit d 16/f,one capital place,18 luard road
wan chai, Hong Kong
www.demgrup.com.tr

Importer / Company:
Braytron S.R.L
Bulevardul iuliu maniu,nr.616, corp B
etaj 1 sector 6,061129 bucuresti, Romania
info@braytron.com www.braytron.com

Test condition:light for 30 mins under nominal voltage input and 25°C±1°working environment

General Characteristics

- Family : Bulbs & Tubes
- Sub Family : LED Bulbs
- Mounting Type : Socket
- Lamp Shape : Non-Directional
- Dimmable : Not-Dimmable
- Light Source : LED
- Warranty : 2 years
- Class : Class II
- IP : IP20

Lamp Characteristics

- Wattage : 5 w
- Color Temperature : 3000K/4000K/6500K
- Luminous Flux(whole Product) : 450 lm
- Luminous Flux(LED System) : 450 lm
- Color Rendering Index(CRI) : > 80
- Energy Efficiency Level : F
- Equivalent : 35 w
- Beam Angle : 180 Degree(s)
- Chromaticity(SDCM) : < 6

Electrical Characteristics

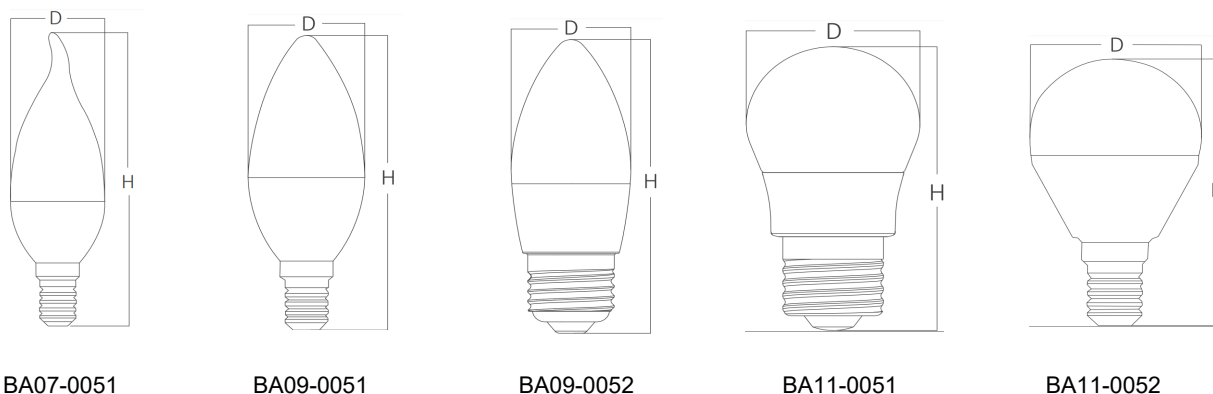
- Lifetime (L70B50) : 15000 h
- Input Voltage : 220-240V
- Frequency : 50-60 Hz
- Power Factor : > 0.5
- Starting Time : < 0.5 s
- Lumen Maintenance Factor : > 0.899
- Number of Switch Cycles : > 12500
- Material : Thermoplastic
- Working Temperature : -20°C~+45°C
- Storage Temperature : -20°C~+60°C
- Environment humidity(working) : 10%~65%

Test condition:light for 30 mins under nominal voltage input and 25°C±1°working environment

Lamp Dimensions & Weight

| Product Code | Socket | Diameter(mm) | Height(mm) | Weight(gr) |
|--------------|--------|--------------|------------|------------|
| BA07-0051 | E14 | 35 | 126 | 23 |
| BA09-0051 | E14 | 35 | 105 | 21,5 |
| BA09-0052 | E27 | 35 | 104 | 19 |
| BA11-0051 | E14 | 45 | 84 | 19,5 |
| BA11-0052 | E27 | 45 | 82 | 20,5 |

Technical Drawing(s)



Reliability requirements and Test Conditions

- Lumen maintenance**

Lumen maintenance is not lower than 89.9% after lighting for 2.5h on and 0.5h off for one cycle.
Total 1200 cycle and 3600h including 3000h on and 600h off.

- Working life (L70B50)**

Under nominal voltage input, working life is forced not lower than 15000 h at 25°C±1°C

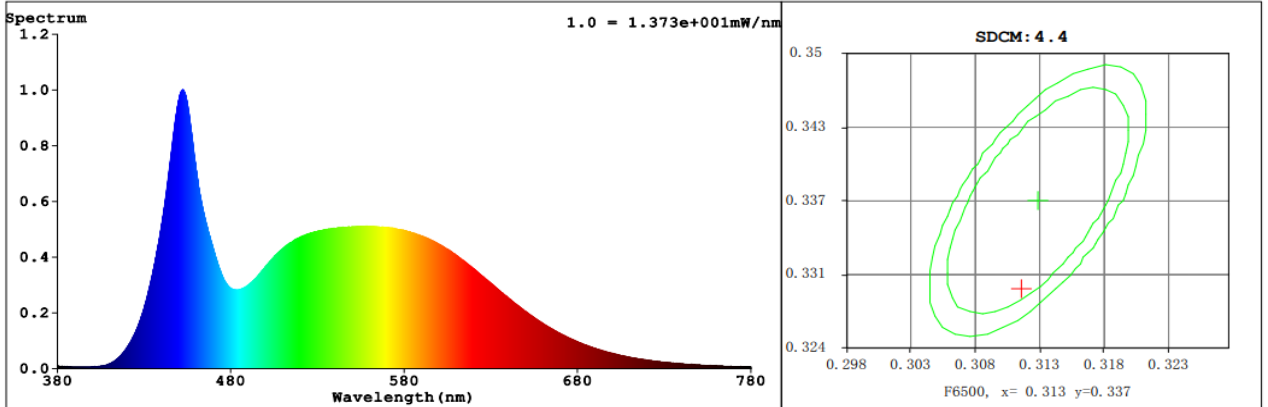
- Remarks:**

Declared values above may vary ±5



Test condition: light for 30 mins under nominal voltage input and 25°C±1° working environment

Optical and electrical test parameter:



Colorimetric Parameters

Chromaticity Coordinate: $x = 0.3117$ $y = 0.3295$ / $u' = 0.1970$ $v' = 0.4684$ ($duv=3.93e-03$)

CCT= 6552K Prcp WL: Ld=489.4nm Purity=7.6%

Peak WL: Lp=452nm FWHM: =27.0nm Ratio:R=13.4% G=80.8% B=5.8%

Render Index: Ra = 83.9

EEL: 0.12101 A+

R1 =82 R2 =88 R3 =91 R4 =83 R5 =83 R6 =83 R7 =89

R8 =71 R9 =11 R10=71 R11=82 R12=61 R13=84 R14=95 R15=77

Photometric & Radiometric Parameters

Flux = 457.46 lm Eff. : 91.68 lm/W Fe = 1.4973 W

Electrical parameters

V = 230.87 V I = 0.03920 A P = 4.990 W PF = 0.5513 F=50.00 Hz